

THE ULTIMATE



Simpson Davits

HANDYLIFT OUTBOARD DAVIT



HL35 / 60



HL125

A simple Simpson Davits solution - great performance, easy to stow away. Available in two styles.



ADVANCED STAINLESS
• ENGINEERING •

SPECIFICATIONS

HANDYLIFT OUTBOARD DAVIT

Simpson Davits

A simple tube davit that is designed to take the effort out of lifting outboards and other weighty articles aboard from tender or pontoon. Lifting capacity ranges from 35 to 125kg according to model.

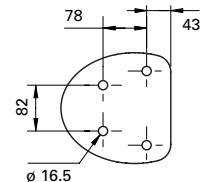
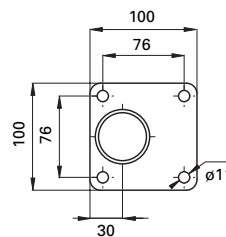
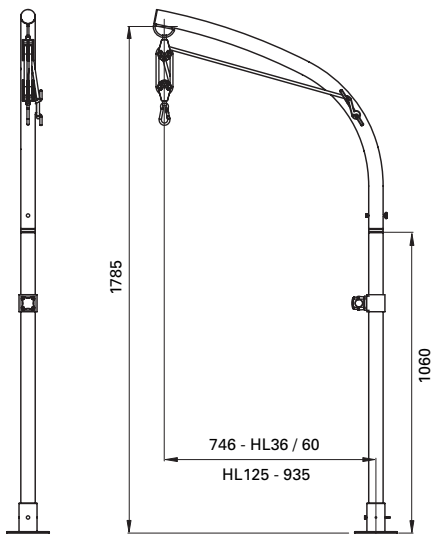
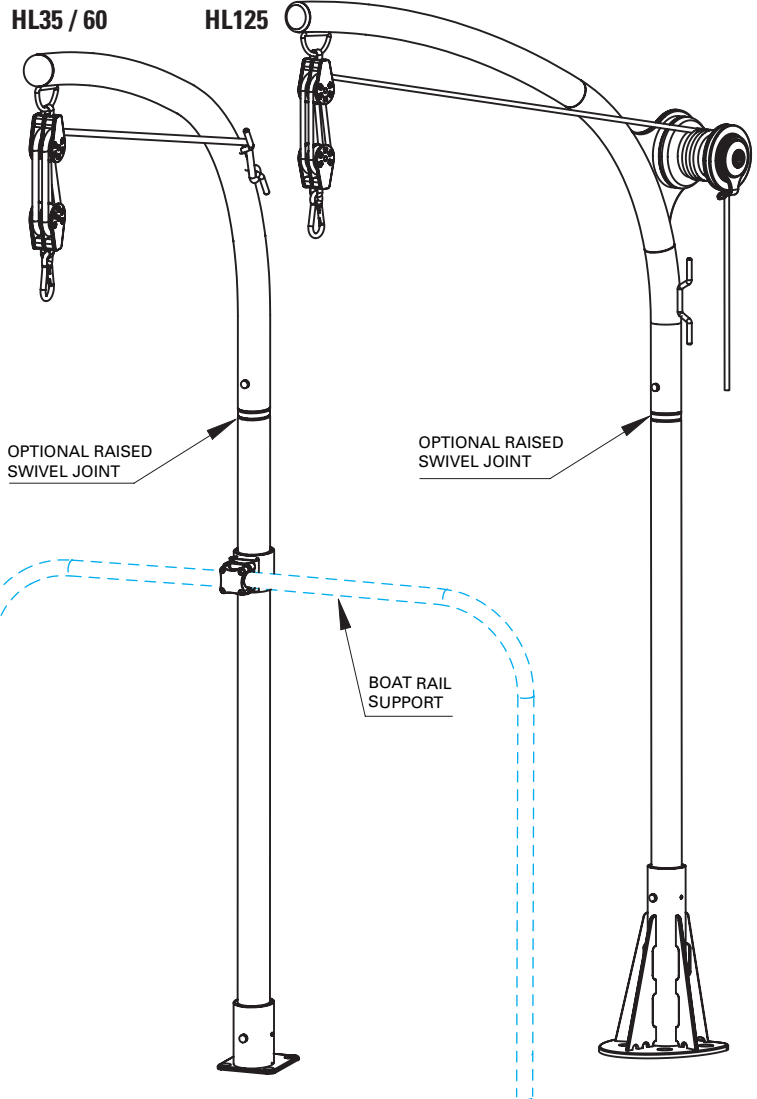
An optional mid-height swivel joint is available to allow stowage in small spaces.

The fixing clamp on 35 and 60 slides on the lower section of the Handylift tube and uses the pushpit rail as a support.

Base size is 100 x 100mm with an offset socket for fitting next to the toe rail.

All models in 316 stainless steel.

125 model has a hand winch and is supported from a base bracket.



| MODEL | DESCRIPTION |
|--------|------------------------|
| HL35 | 35kg Lift |
| HL35S | 35kg Lift Swiv. Joint |
| HL60 | 60kg Lift |
| HL60S | 60kg Lift Swiv. Joint |
| HL125 | 125kg Lift |
| HL125S | 125kg Lift Swiv. Joint |



Cooney Marine International Limited Telford Way Kettering Northants NN16 8UN United Kingdom

Tel: +44 (0) 1536 484481 Fax: +44 (0) 1536 411580 e.mail: sales@cooneymarine.co.uk

www.cooneymarine.co.uk www.simpsondavits.co.uk