

THE ULTIMATE



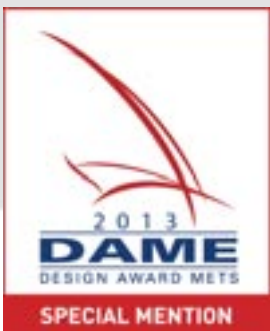
**Simpson
Davits**

OVAL 15ZERO DAVIT



**Introducing the stainless steel
oval tender davit**

- 150kg Safe Working Load per pair
- Mirror finish 316 stainless steel
- Sleek oval design
- Lifts clear of bathing platform
- Retracts the tender for stowage
- Removable and rotatable
- Available in transom or deck mount option
- Designed and manufactured in Britain



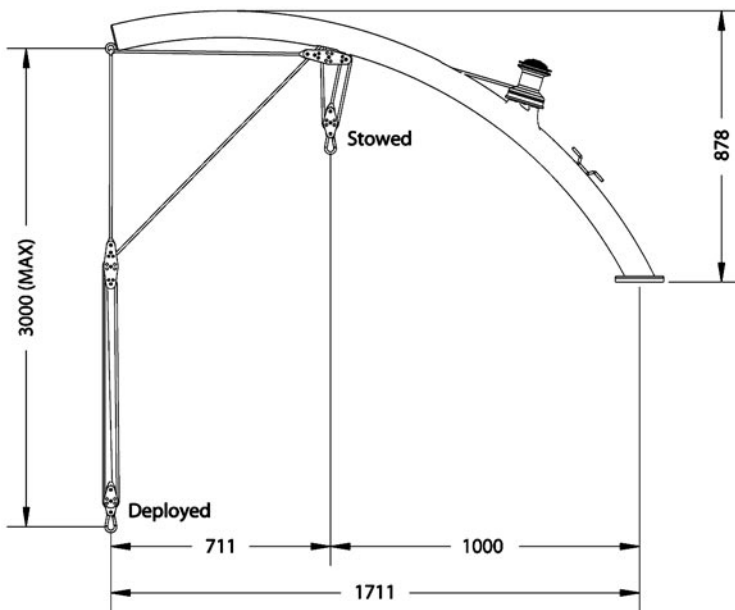
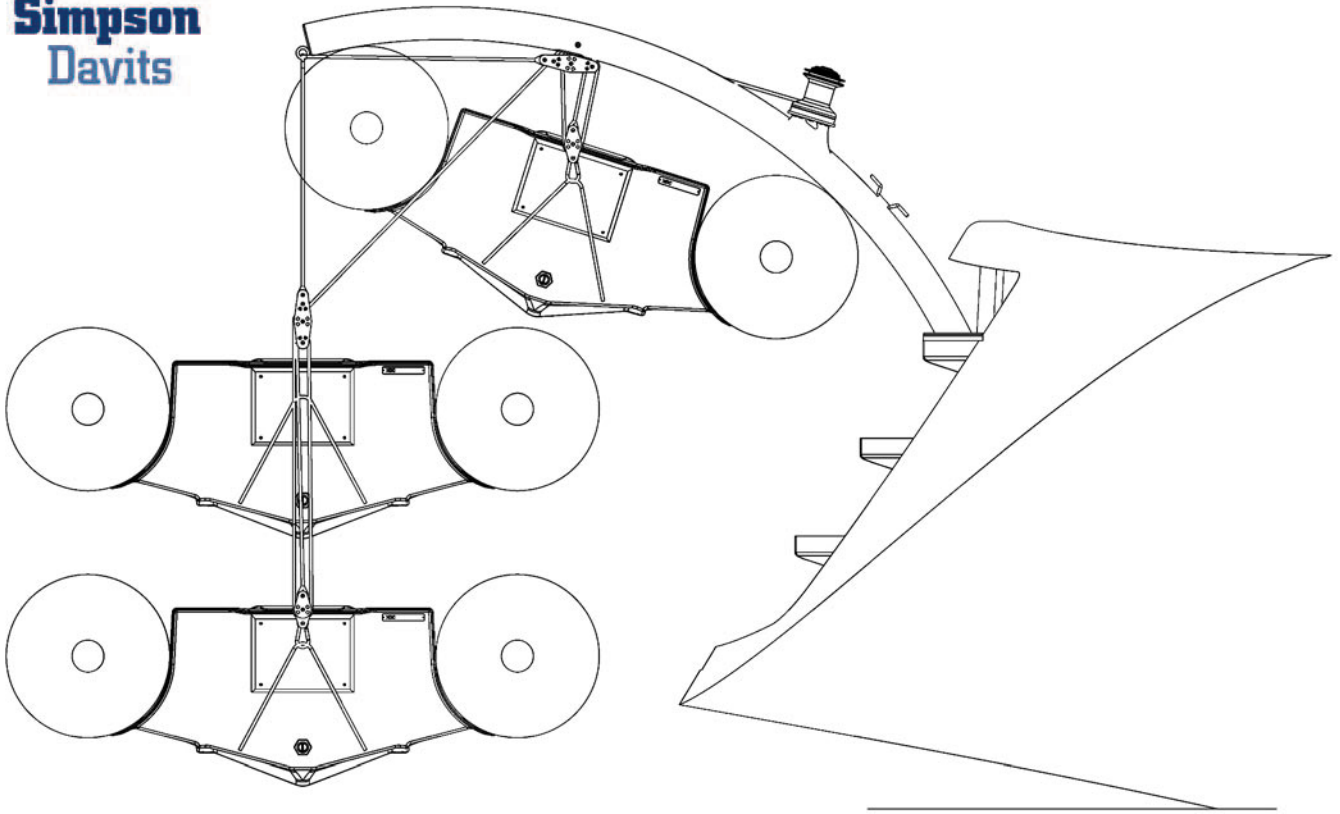
Cooney™

ADVANCED STAINLESS
• ENGINEERING •

Pictures courtesy of Oyster Marine

OVAL 15ZERO DAVIT

Simpson Davits



This innovative davit is a stylish addition to the Simpson Davits range.

Using high quality 316 marine grade stainless, we have developed a contemporary davit solution.

The rope handling system lifts the tender clear of the bathing platform, once raised it will retract and stow the tender securely under the davit.

Together with a horizontally mounted winch the OVAL 15ZERO offers simple, ergonomic operation.

The OVAL 15ZERO Davit comes with the standard Simpson Davits 3 year warranty.



Cooney Marine International Limited Telford Way Kettering Northants NN16 8UN United Kingdom
 Tel: +44 (0) 1536 484481 Fax: +44 (0) 1536 411580 e.mail: sales@cooneymarine.co.uk
 www.cooneymarine.co.uk www.simpsondavits.co.uk