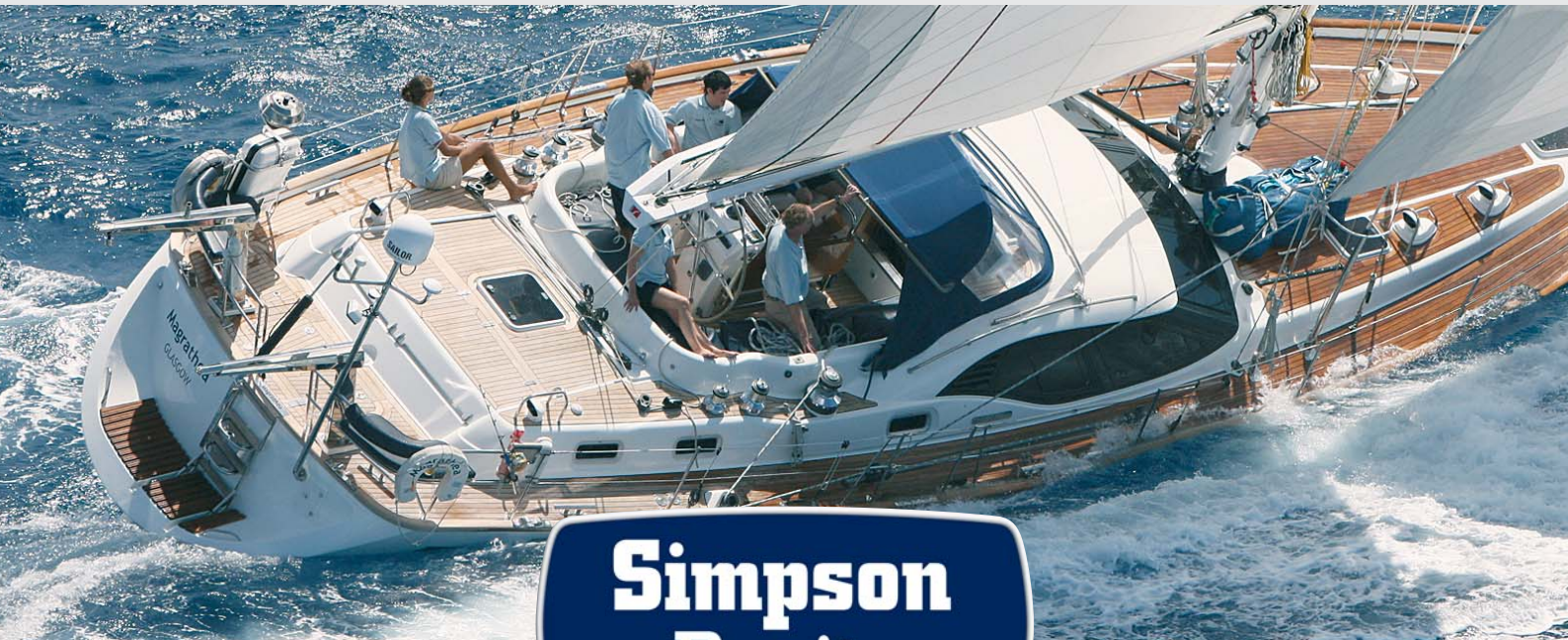


THE ULTIMATE



Simpson Davits

COBRA DAVITS



A unique design of Simpson Davit, the Cobra offers contemporary styling with the highest performance, incorporating the latest technology.

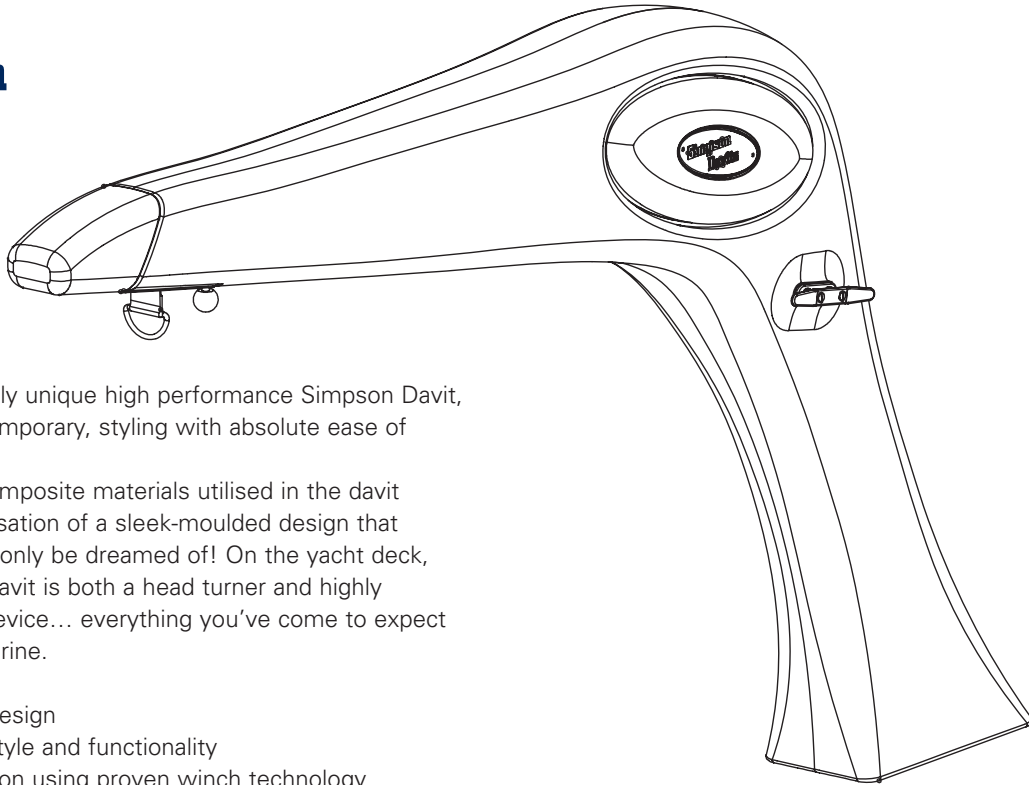


ADVANCED STAINLESS
• ENGINEERING •

SPECIFICATIONS

COBRA DAVITS

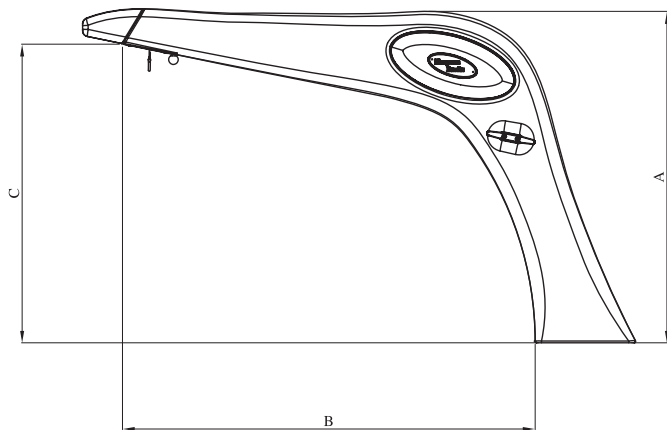
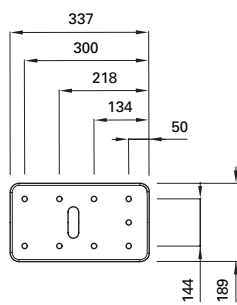
**Simpson
Davits**



COBRA is a totally unique high performance Simpson Davit, combining contemporary, styling with absolute ease of operation.

The high-tech composite materials utilised in the davit enables the realisation of a sleek-moulded design that previously could only be dreamed of! On the yacht deck, this sculptured davit is both a head turner and highly efficient lifting device... everything you've come to expect from Cooney Marine.

- Unique sleek design
- Designed for style and functionality
- Electric operation using proven winch technology
- 300 - 400kg lift per pair
- Sliding arm



MODEL	SWL per pair	A	B	C
CD300	300kg	1112	1385	1002
CD400	400kg	1112	1385	1002



Cooney Marine International Limited Telford Way Kettering Northants NN16 8UN United Kingdom
 Tel: +44 (0) 1536 484481 Fax: +44 (0) 1536 411580 e.mail: sales@cooneymarine.co.uk
www.cooneymarine.co.uk www.simpsondavits.co.uk