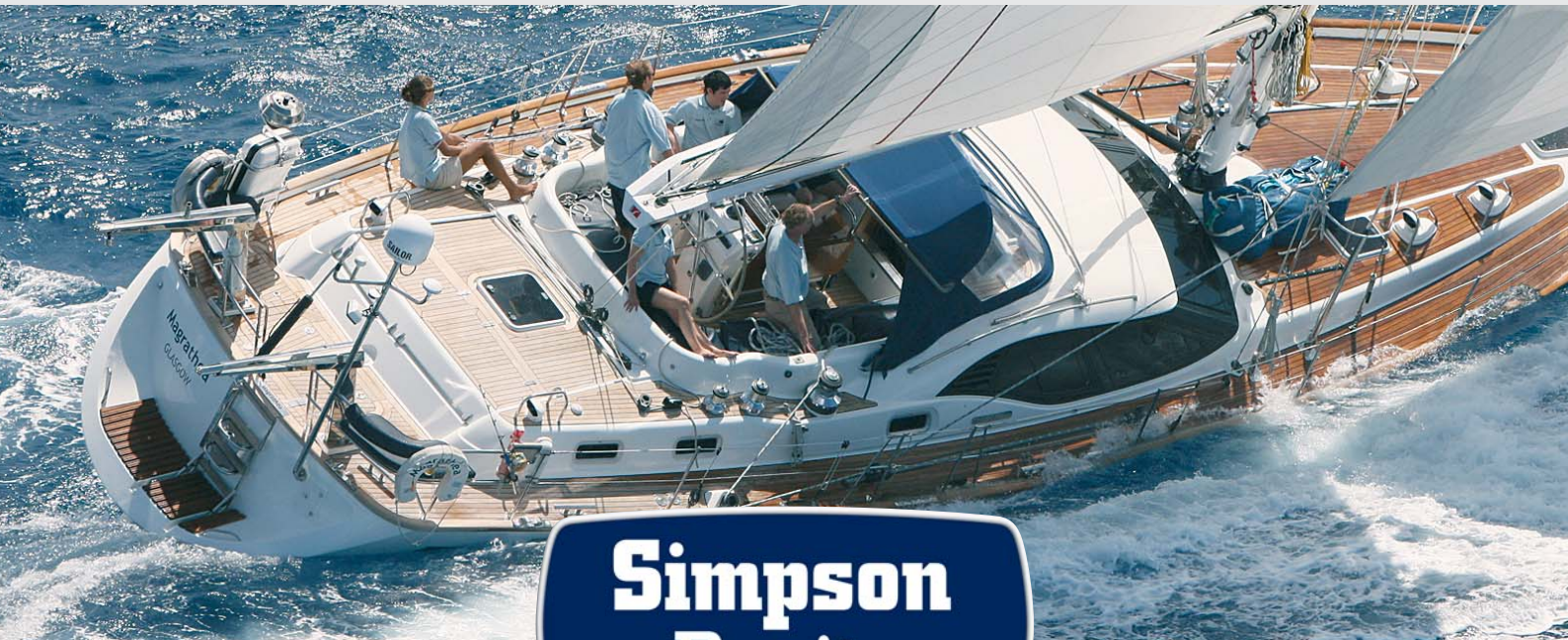


# THE ULTIMATE



**Simpson  
Davits**

## CANTILEVER DAVITS



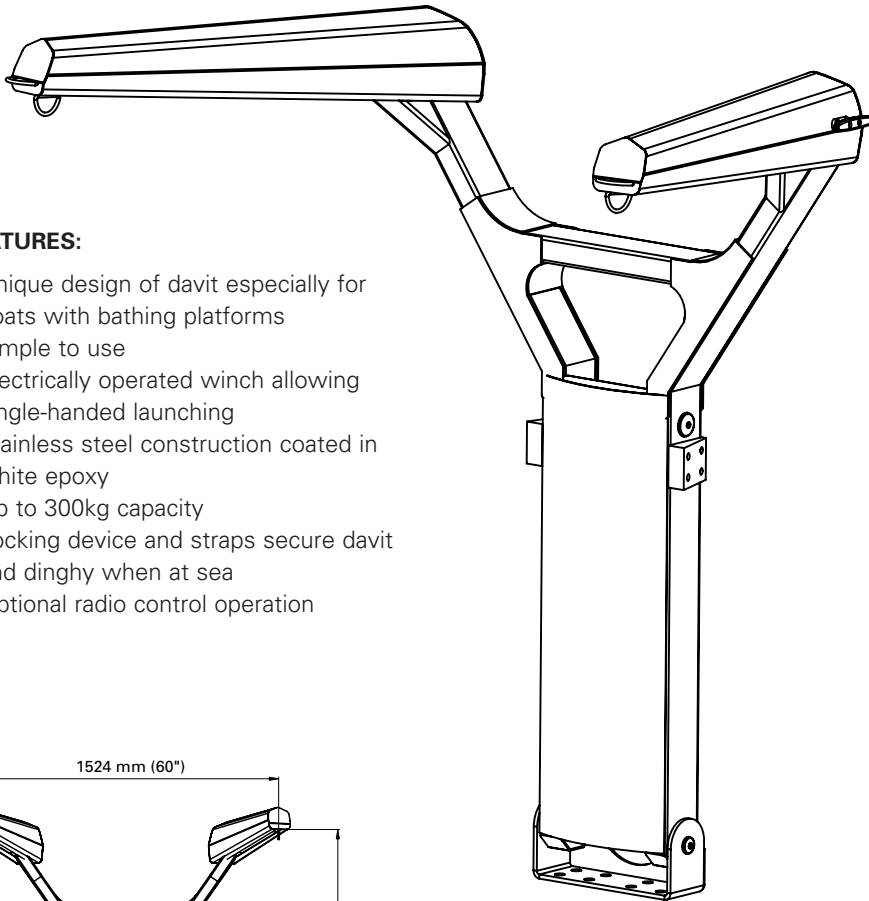
The Simpson Cantilever Davit designed for boats with bathing platforms. A futuristic and stylish yet unobtrusive design, giving the effect of the dinghy being suspended in mid-air.



ADVANCED STAINLESS  
• ENGINEERING •

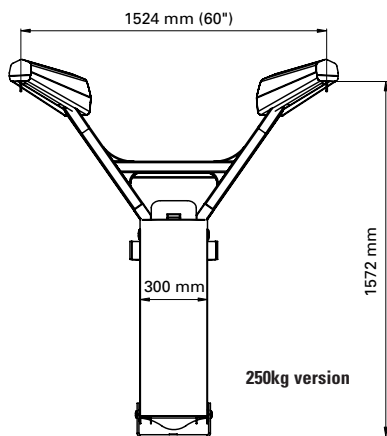
# CANTILEVER DAVITS

## Simpson Davits

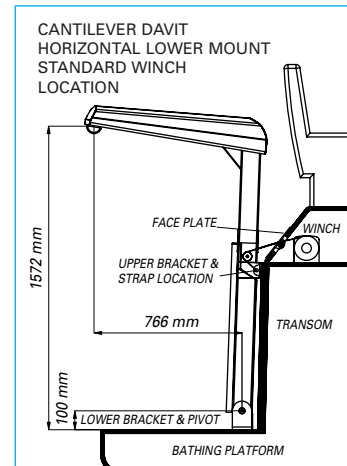


**FEATURES:**

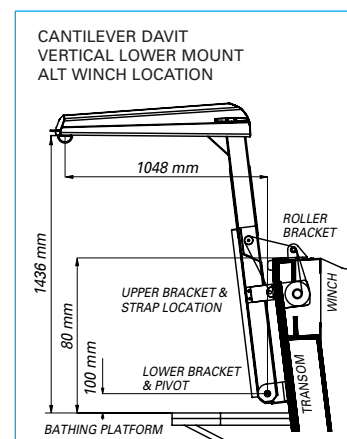
- Unique design of davit especially for boats with bathing platforms
- Simple to use
- Electrically operated winch allowing single-handed launching
- Stainless steel construction coated in white epoxy
- Up to 300kg capacity
- Locking device and straps secure davit and dinghy when at sea
- Optional radio control operation



**Mounting Options**

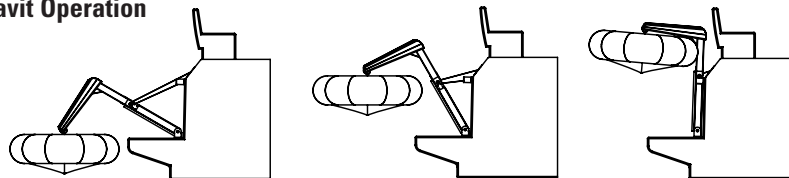


250kg version



250kg version

**Davit Operation**



MODEL	SWL
CD250STD	250kg
CD250ALT	250kg
CD300STD	300kg
CD300ALT	300kg



Cooney Marine International Limited Telford Way Kettering Northants NN16 8UN United Kingdom

Tel: +44 (0) 1536 484481 Fax: +44 (0) 1536 411580 e.mail: sales@cooneymarine.co.uk

www.cooneymarine.co.uk www.simpsondavits.co.uk