

# THE ULTIMATE



**Simpson  
Davits**

## TRADITIONAL DAVITS



A world renowned range of stainless Simpson Davits, with a choice of lifting capacities and fitting, there is a Traditional Davit to suit all types of craft.



ADVANCED STAINLESS  
• ENGINEERING •

# TRADITIONAL DAVITS

## Simpson Davits

### Models 100, 125, 150, 175, 200, 225, 250

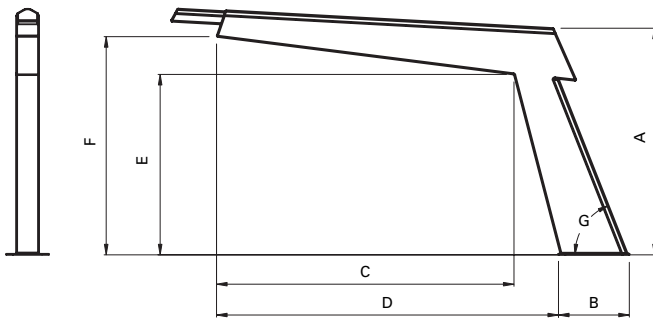
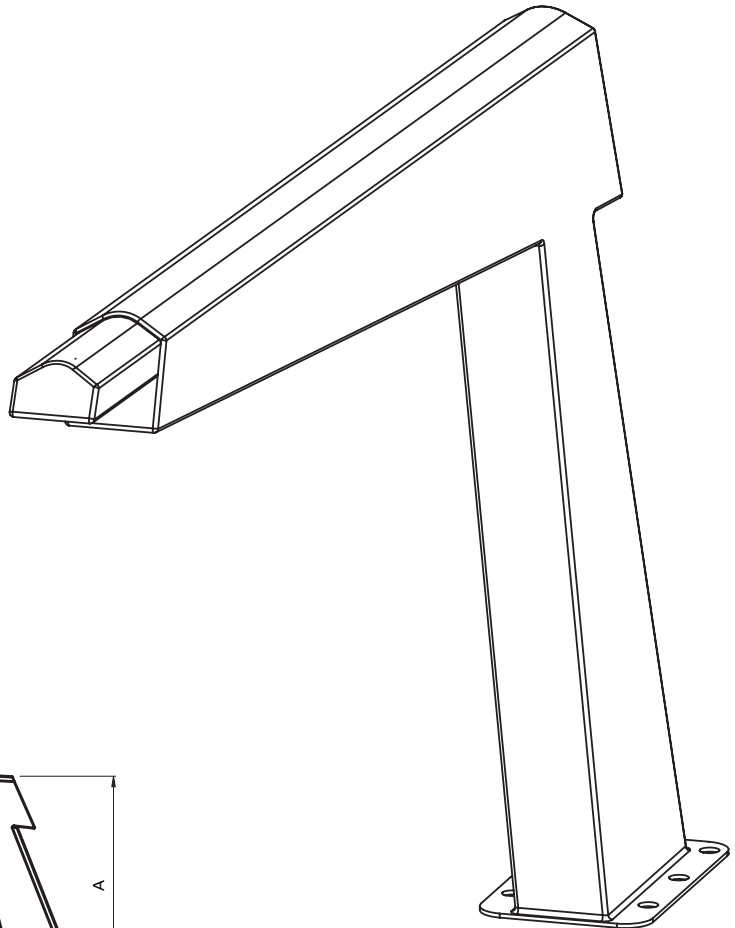
Traditional Davits have been designed to lift or lower weights up to 250kg (550lbs) per pair of davits.

Hand operated, incorporating an adjustable sliding arm extension for final positioning of the raised dinghy or tender.

Base allows for the easy access of the securing bolts and can be used in conjunction with transom brackets or deck shoes, which makes for the easy removal of the davits for stowage.

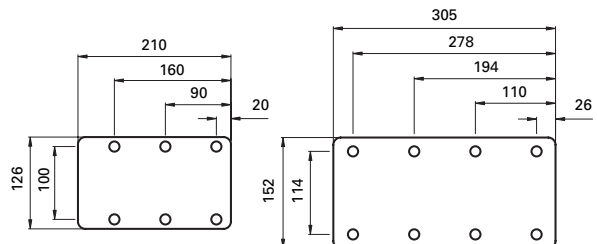
Also available in painted finish

*For electrically operated davits see Series 8*



**TRAD. BASEPLATE  
100, 125, 150, 175**

**TRAD. BASEPLATE  
200, 225, 250**



MODEL	SWL per pair	A	B	C	D	E	F	G
D100	100kg	670	210	805	940	535	640	68
D125	125kg	700	210	1090	1220	535	660	68
D150	150kg	670	210	880	1015	535	650	68
D175	175kg	705	210	1245	1380	535	660	68
D200	200kg	825	305	1045	1260	665	785	65
D225	225kg	825	305	1200	1410	665	795	65
D250	250kg	825	305	1045	1260	665	785	65



Cooney Marine International Limited Telford Way Kettering Northants NN16 8UN United Kingdom

Tel: +44 (0) 1536 484481 Fax: +44 (0) 1536 411580 e.mail: sales@cooneymarine.co.uk

www.cooneymarine.co.uk www.simpsondavits.co.uk