

THE ULTIMATE



Simpson Davits

HANDYLIFT OUTBOARD DAVIT



HL35 / 60



HL125

A simple Simpson Davits solution - great performance, easy to stow away. Available in two styles.



ADVANCED STAINLESS
• ENGINEERING •

SPECIFICATIONS

HANDYLIFT OUTBOARD DAVIT

Simpson Davits

A simple tube davit that is designed to take the effort out of lifting outboards and other weighty articles aboard from tender or pontoon. Lifting capacity ranges from 35 to 125kg according to model.

An optional mid-height swivel joint is available to allow stowage in small spaces.

The fixing clamp on 35 and 60 slides on the lower section of the Handylift tube and uses the pushpit rail as a support.

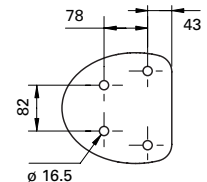
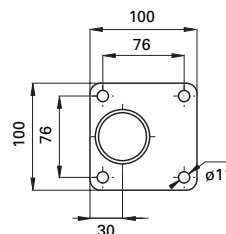
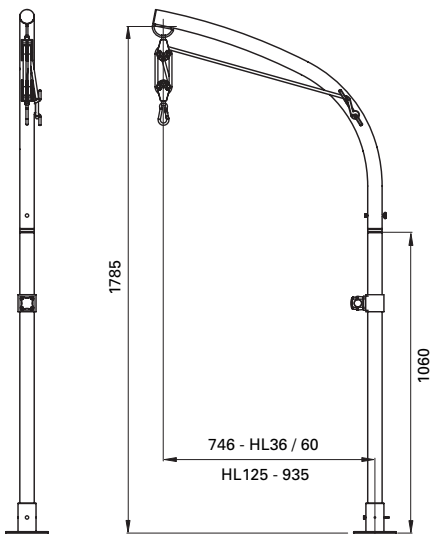
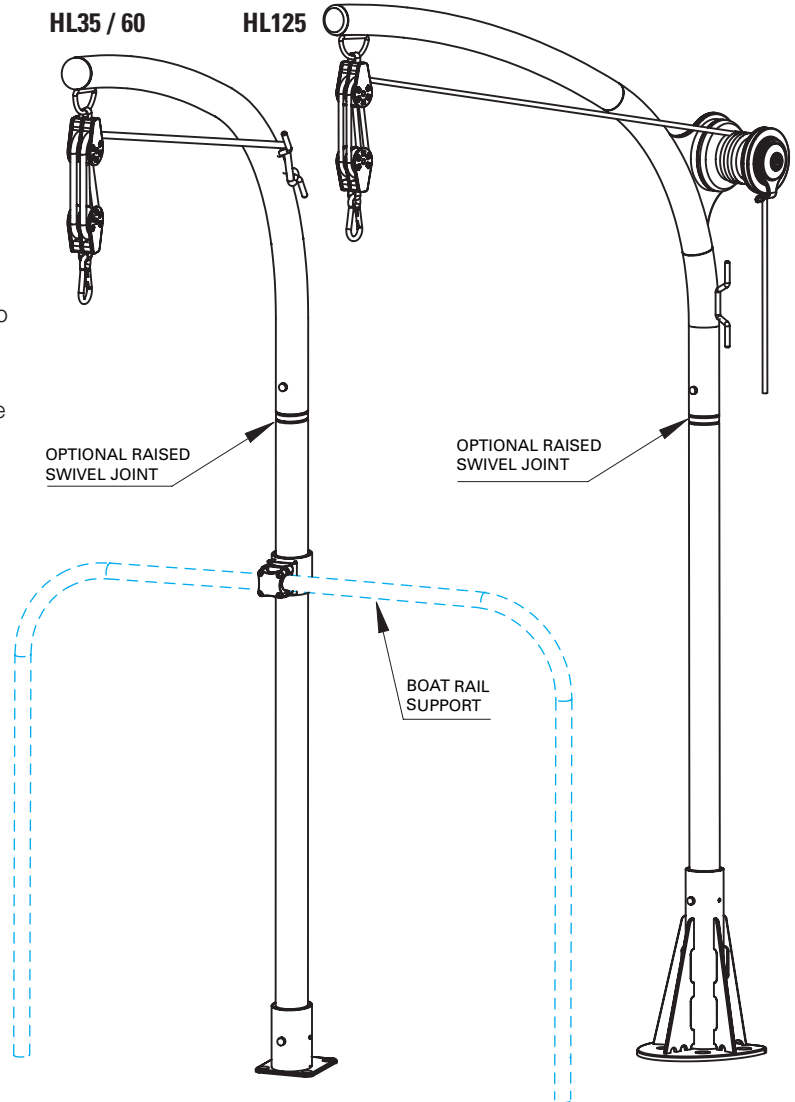
Base size is 100 x 100mm with an offset socket for fitting next to the toe rail.

All models in 316 stainless steel.

125 model has a hand winch and is supported from a base bracket.

HL35 / 60

HL125



MODEL	DESCRIPTION
HL35	35kg Lift
HL35S	35kg Lift Swiv. Joint
HL60	60kg Lift
HL60S	60kg Lift Swiv. Joint
HL125	125kg Lift
HL125S	125kg Lift Swiv. Joint



Cooney Marine International Limited Telford Way Kettering Northants NN16 8UN United Kingdom

Tel: +44 (0) 1536 484481 Fax: +44 (0) 1536 411580 e.mail: sales@cooneymarine.co.uk

www.cooneymarine.co.uk www.simpsondavits.co.uk